

# MATERIAL HANDLING

## Turn Buckle

### Hook and Hook (TB-H/H)

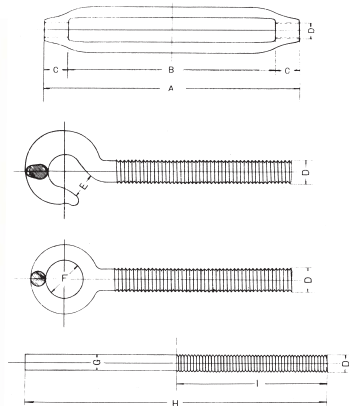
Code No.	Size	E (m/m)	T.L. (Ton)	W/Pe-kg
AQ00649	1/4"	9	0.04	0.112
AQ00650	5/16"	9	0.08	0.215
AQ00651	3/8"	11	0.15	0.29
AQ00652	1/2"	16	0.35	0.57
AQ00653	5/8"	19	0.7	1.03
AQ00654	3/4"	20	1.0	1.77
AQ00655	7/8"	21	1.5	2.6
AQ00656	1"	26	2.0	3.73

### Hook and Eye (TB-H/E)

Code No.	Size	T.L. (Ton)	W/Pe-kg
AQ00657	1/4"	0.04	0.114
AQ00658	5/16"	0.08	0.218
AQ00659	3/8"	0.15	0.293
AQ00660	1/2"	0.35	0.585
AQ00661	5/8"	0.7	1.05
AQ00662	3/4"	1.0	1.78
AQ00663	7/8"	1.5	2.58
AQ00664	1"	2.0	3.77

### Oval Eye and Eye (TB-e/E)

Code No.	Size
AQ00665	1/4"
AQ00666	5/16"
AQ00667	3/8"
AQ00668	1/2"
AQ00669	5/8"
AQ00670	3/4"
AQ00671	7/8"
AQ00672	1"



① Body Only (TB-B)  
16116

② Eye and Eye (TB-E/E)  
16117

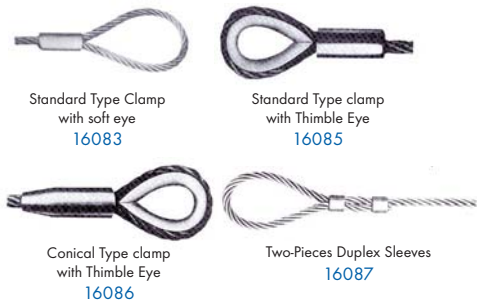
③ With Stubs (TB-S/S)  
16121

④ Long Frame Turnbuckle with Eye and Eye (TB-%)  
16122

Nominal Size (D)		Body Only						Eye and Eye			Long Frame			With Stubs			
m/m	in	A	B	C	T.L.	W/Pce	F	T.L.	W/Pce	Dia x Outside Length of Frame m/m	Indise Dia of Eye m/m	W/Pce	H	I (L <sub>1</sub> )	G	W/Pce	
m/m	in	m/m	in	m/m	m/m	Ton	kg	m/m	Ton	kg			m/m	m/m	m/m	kg	
6	1/4	100	4	78	11	1	0.08	10	0.1	0.116	19 x 510	37	2.9	80	50	5.3	0.112
8	5/16	125	5	100	12.5	1.2	0.15	12	0.2	0.22	22 x 520	31 x 50	3.8	100	63	6.9	0.22
9	3/8	150	6	120	12.5	1.5	0.17	16	0.5	0.295	25 x 520	33 x 70	5.2	130	75	8.3	0.273
12	1/2	200	8	164	18	2	0.29	20	2	0.6	25 x 900	33 x 70	8.0	150	100	11.2	0.51
16	5/8	250	10	202	21.5	3	0.52	22	3	1.07	32 x 375	36 x 70	9.8	180	125	14.2	0.95
19	3/4	300	12	250	25	4	0.85	28	4	1.79	32 x 900	36 x 70	-	220	150	17.2	1.62
22	7/8	325	13	269	28	5	1.17	33	5	2.55	38 x 900	40 x 80	-	250	165	20.3	2.34
25	1	350	14	285	32.5	6	1.69	35	6	3.8	-	-	-	270	175	23.3	3.27
32	1 1/4	400	16	310	45	8	3.51	36 x 70	10	7.6	-	-	-	300	200	29	6.52
38	1 1/2	450	18	350	55	10	5.08	40 x 80	15	13.5	-	-	-	330	225	38	13
44	1 3/4	500	20	386	57	-	9.0	-	-	-	-	-	-	-	250	44	-
50	2	550	22	420	65	-	11.5	-	-	-	-	-	-	-	275	50	-

## Towing and Lifting Gears Specialists

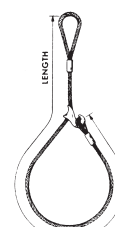
Manufacturers & Suppliers of Wire Rope Slings, Wire Ropes, Cargo Nets, Nylon Ropes, Lashing Materials.  
Testing Facilities available up to 150,000 kgs. (150 tons)



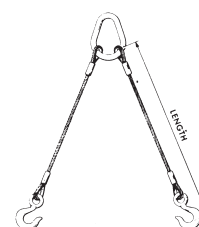
Standard Type clamp with Thimble Eye and Soft Eye.  
16084



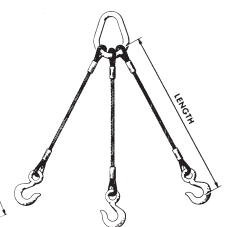
Single Leg Sling  
16089



Single with Chocker Hook  
16090



2-Leg Bridle Sling c/w Hooks  
16091



3-Leg Bridle Sling c/w Hooks  
16092



GROMMET SLING  
16088

## Sling Assemblies



AQ16094  
Single-leg with master and hook.



AQ16095  
Collar sling with eye link each end.



AQ16096  
Collar sling with master each end.



AQ16097  
Two-leg with master link and hooks.



AQ16098  
Two-leg with shortening clutches.



AQ16099  
Three-leg with master link assembly and hooks.



AQ16100  
Four-leg with master link assembly and hooks.



AQ16101  
Four-leg with shortening clutches.

## Allinton Engineering & Trading Pte Ltd

Head Office: Block 803, King George's Avenue #01-234 Singapore 200803. Tel: 6296 0679 (10 lines) 6292 7728 Fax: 6297 0024

Branch Office: 21 Tuas Basin Link Singapore 638782 Tel: 6265 1888 (10 lines) Fax: 6265 5623

Web-site: <http://www.allinton.com.sg> E-mail: [allinton@singnet.com.sg](mailto:allinton@singnet.com.sg)