

# HYDRAULIC

## Kanazawa Electrohydraulic Pipe-Benders

The motor-driven pipe bending machines "RAPID KT10/M fitted with silent electrohydraulic gearbox, remote-controlled by a two-way distributor, are practical indeed for the special accuracy with which they have been designed. The gearbox with radiant pistons is complete with a limit valve that enables an automatic oil discharge once the maximum stress have been reached, keeping the working pressure unaltered.

Each one of these models is also fitted with a sturdy two-storey working table. The hydraulic gearbox is placed on the lower storey, while the pipe-bending machine is placed on the upper storey. The absolute newness of the "Rapid KT10/M" is represented by the fact that they can be used also by hand if needed. The same are suitable to bend gas and water pipes without welding, of medium thickness from 3/8" up to 6".



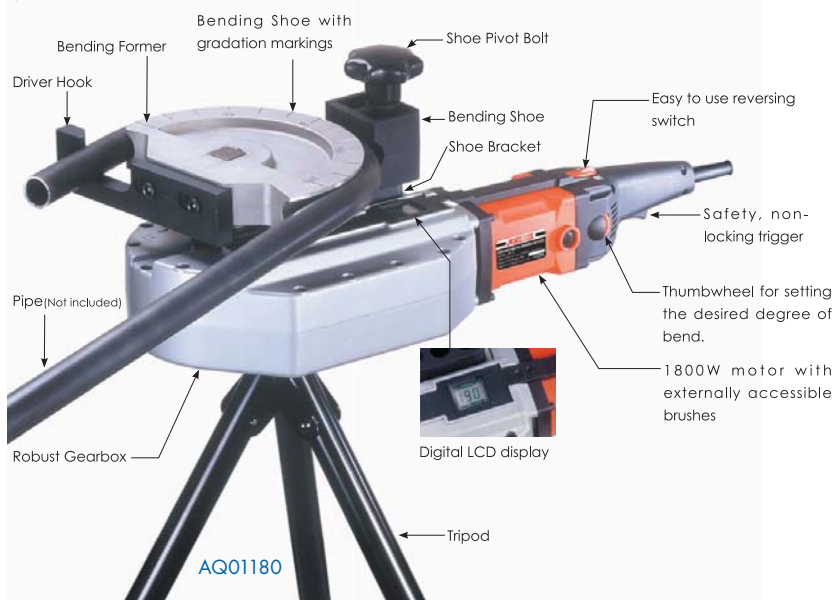
AQ01178

Code No.	Model No.	Size
AQ01178	E/M	3/8, 1/2, 3/4, 1", 1 1/4", 1 1/2", 2", 2 1/2", 3", 3 1/2" 4"
AQ01179	G/M	2", 2 1/2", 3", 4", 5", 6"

\*Voltage: 3phase 415V

## Digital Bending Machine

The KDB 32 Portable Digital Bending Machine is unique in the industry in having a digital LCD degree display. It makes it extremely fast and simple to produce accurate bends up to 192 degrees in tubing up to 1 1/4". Simply set the desired degree of bend with thumb wheel and that number appears on the digital display. As soon as the trigger is pressed, the actual degrees of bend are displayed, up until the bend is completed. The robust 1800 watt motor and heavy duty gearbox are built to last. Bends are made quickly at 3.5 rpm.



AQ01180

Code No.	AQ 01180
Model	KDB32
Power input	1800W
No load speed	3.5 R.P.M.
Max. capacity	32mm(1-1/4")
N.W. (machine only)	14KGS (30.8Lbs)



### Optional Accessories

#### Bending Former

Code No.	Size	Part Number
AQ01181	5/8" R=4D	KDB 00320015
AQ01182	3/4" R=4D	KDB 00320016
AQ01183	7/8" R=4D	KDB 00320017
AQ01184	1" R=4D	KDB 00320018
AQ01185	1 1/8" R=4D	KDB 00320019
AQ01186	1 1/4" R=4D	KDB 00320020

#### Bending Shoe

Code No.	Size	Part Number
AQ01187	5/8"	KDB 00320021
AQ01188	3/4"	KDB 00320022
AQ01189	7/8"	KDB 00320023
AQ01190	1"	KDB 00320024
AQ01191	1 1/8"	KDB 00320025
AQ01192	1 1/4"	KDB 00320026

## Allinton Engineering & Trading Pte Ltd

Head Office: Block 803, King George's Avenue #01-234 Singapore 200803. Tel: 6296 0679 (10 lines) 6292 7728 Fax: 6297 0024

Branch Office: 21 Tuas Basin Link Singapore 638782 Tel: 6265 1888 (10 lines) Fax: 6265 5623

Web-site: <http://www.allinton.com.sg> E-mail: [allinton@singnet.com.sg](mailto:allinton@singnet.com.sg)

**KANAZAWA™**