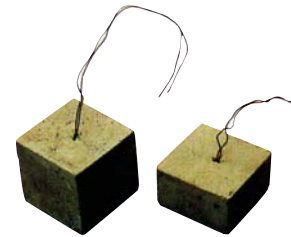


BUILDING MATERIAL

Concrete Spacer

Specifications

| Model No. | Description | Cover(mm) | Packing(bag) |
|-----------|----------------------------|-----------|--------------|
| AI00573 | 50 x 50mm W/WIRE | 20 | 250 |
| AI00574 | 50 x 50mm W/WIRE | 25 | 250 |
| AI00575 | 50 x 50mm W/WIRE | 30 | 250 |
| AI00576 | 50 x 50mm W/WIRE | 35 | 200 |
| AI00577 | 50 x 50mm W/WIRE | 40 | 200 |
| AI00578 | 50 x 50mm W/WIRE | 50 | 150 |
| AI00579 | 50 x 50mm W/WIRE | 60 | 100 |
| AI00580 | 50 x 50mm W/WIRE | 75 | 100 |
| AI00581 | 50 x 50mm W/WIRE | 100 | 100 |
| AI00583 | 50 x 50mm W/O WIRE | 125 | 100 |
| AI00584 | 50 x 50mm W/O WIRE | 150 | 50 |
| AI00585 | 50 x 50mm W/O WIRE | 175 | 50 |
| AI00586 | 50 x 50mm W/O WIRE | 200 | 50 |
| AI00588 | 1000 x 100mm COLUMN SPACER | 35 | 100 |
| AI00589 | 190 x 90 x 90 SOLID BLOCK | 420 / PLT | |



Square Spacer



Beam Spacer



Column Spacer



Solid Spacer

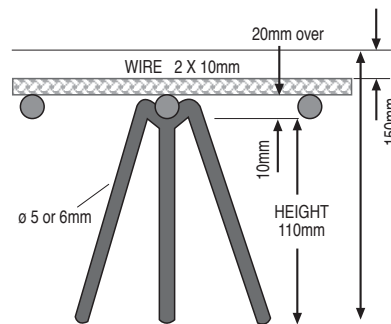
Bar Chair

Bar Chairs Plastic Tip (BCPT)

An advantageous and successful spacer for top reinforcement. Bar chairs are made of machine bent hard drawn steel wires of $\phi 5-6\text{mm}$ with plastic caps at legs to prevent rusting. It has a wide base and a height of 50-240mm.

Plastic Bar Chair

Plastic Bar Chair Base are used to support bar chair, to prevent them from sinking into the soil. It can also be used to act as protective measure to prevent bar chair from damaging / puncturing the water proofing membrane.



Guideline to place order for BCPT Height.
BCPT Height = SLAB THICKNESS - Wire Dia - Top Cover

Specifications

| Model No. | Galvanize (mm) | Packing (bag) | Wire Dia (mm) |
|-----------|----------------|---------------|---------------|
| AI00590 | BCPT-50 | 100 | 5 |
| AI00591 | BCPT-60 | 100 | 5 |
| AI00592 | BCPT-70 | 100 | 5 |
| AI00593 | BCPT-80 | 100 | 5 |
| AI00594 | BCPT-90 | 100 | 5 |
| AI00595 | BCPT-100 | 100 | 6 |
| AI00596 | BCPT-110 | 100 | 6 |
| AI00597 | BCPT-120 | 100 | 6 |
| AI00598 | BCPT-130 | 100 | 6 |
| AI00599 | BCPT-140 | 50 | 6 |
| AI00600 | BCPT-150 | 50 | 6 |
| AI00601 | BCPT-160 | 50 | 6 |
| AI00602 | BCPT-170 | 50 | 6 |
| AI00603 | BCPT-180 | 50 | 6 |
| AI00604 | BCPT-190 | 50 | 6 |
| AI00605 | BCPT-200 | 50 | 6 |
| AI00606 | BCPT-210 | 50 | 6 |
| AI00607 | BCPT-220 | 50 | 6 |
| AI00608 | BCPT-230 | 50 | 6 |
| AI00609 | BCPT-240 | 50 | 6 |



Plastic Bar Chair
AV21155

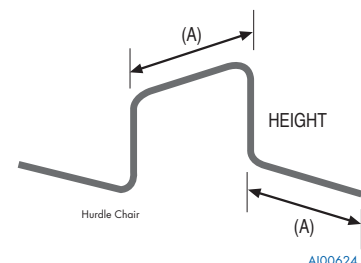


Bar Chair Plastic Tip
AV21156

Hurdle Chair (HC)

Specifications

| Model No. | Product Code | Height | (a) | Dia | Length |
|-----------|--------------|--------|-----|-----|--------|
| AI00610 | HC060 | 60 | 200 | 7 | 720 |
| AI00611 | HC070 | 70 | 200 | 7 | 740 |
| AI00612 | HC080 | 80 | 200 | 7 | 760 |
| AI00613 | HC090 | 90 | 200 | 7 | 780 |
| AI00614 | HC100 | 100 | 200 | 7 | 800 |
| AI00615 | HC110 | 110 | 200 | 8 | 820 |
| AI00616 | HC120 | 120 | 200 | 8 | 840 |
| AI00617 | HC130 | 130 | 200 | 8 | 860 |
| AI00618 | HC140 | 140 | 200 | 8 | 880 |
| AI00619 | HC150 | 150 | 200 | 8 | 900 |
| AI00620 | HC160 | 160 | 200 | 8 | 920 |
| AI00621 | HC170 | 170 | 200 | 8 | 940 |
| AI00622 | HC180 | 180 | 200 | 8 | 960 |
| AI00623 | HC190 | 190 | 200 | 8 | 980 |
| AI00624 | HC200 | 200 | 200 | 8 | 1000 |



AI00624

Allinton Engineering & Trading Pte Ltd

Head Office: Block 803, King George's Avenue #01-234 Singapore 200803. Tel: 6296 0679 (10 lines) 6292 7728 Fax: 6297 0024

Branch Office: 21 Tuas Basin Link Singapore 638782 Tel: 6265 1888 (10 lines) Fax: 6265 5623

Web-site: <http://www.allinton.com.sg> E-mail: allinton@singnet.com.sg

BUILDING MATERIAL

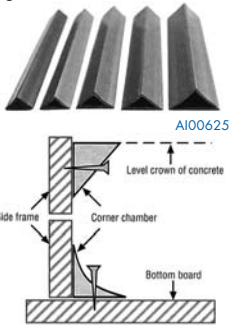
Plastic Chamfer, Plastic Profile & Car Park Ring

Plastic Chamfer

Plastic Corner Chamfer are widely used to form chamfered edge and angled groove lines, various area such as Column, Canopy, Rain water drip line and also for Concrete Piles construction.

Area of Application

- Chamfered column & beam edge
- Rain drip line
- Road kerb
- V-groove



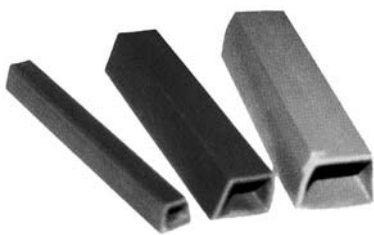
| List of Standard Sizes Corner Chamfer | | |
|--|---------------|-----------------------------|
| | Solid | Hollow |
| Name | Cross Section | Quantity Packed in one unit |
| KT-15 AI00625 | | 100 |
| KT-20 AI00626 | | 100 |
| KT-25 AI00627 | | 100 |
| KT-30 AI00628 | | 100 |
| DT-35 AI00629 | | 100 |

Table of Efficiency

| Item | Unit | Measured Figure | Testing Methods |
|------------------------------------|---------|-----------------|-----------------|
| Characteristics of Material | | | |
| Specific gravity | | 1.38 | JIS-K-6350 |
| Hardness | | 100 | JIS-K-6301 |
| Rate of water absorption | g/m | +0.21 | JIS-K-6745 |
| Mechanical Characteristics | | | |
| Tensile Strength | kg/cm | 520 | JIS-K-6350 |
| Elongation | % | 35 | JIS-K-6301 |
| Bending strength | kg/cm | 7.1 | JIS-K-6745 |
| Strength again impact | kg/cm | 7.3 | |
| Characteristics of Heat | | | |
| Coefficient of heat | °C-1 | 1.26 x 104 | ASTM-D-696 |
| Specific heat softening Point | cal/°Cg | 0.2 | |
| Chemical Proof | | | |
| H ² O | g/m | +0.21 | JIS-K-6745 |
| 30%H ² S0 ⁴ | " | -0.43 | |
| 35%HCL | " | -0.71 | |
| 40%HNO ⁴ | " | -0.64 | |
| 10%NaCL | " | -0.58 | |
| 40%NaOH | " | -0.62 | |

Plastic Profile

Plastic Profiles are catered to most application of groove feature, it enhance high quality finishing and reduce inconsistent workmanship. The excellent finishes are cost effective as it need only minor touch up.

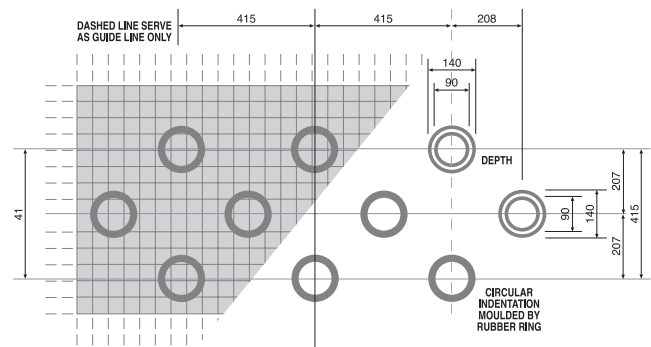


AI00630

| | | | |
|------------------|------------------|------------------|------------------|
| | | | |
| KM-1 AI00630 | KM-1A AI00631 | KM-3 AI00632 | KM-4 AI00633 |
| | | | |
| KM-5 AI00634 | KM-8 AI00635 | KM-12 AI00636 | KM-14 AI00637 |
| | | | |
| KM-15 AI00638 | KM-16 AI00639 | KM-17 AI00640 | KM-18 AI00641 |
| | | | |
| KM-21 AI00642 | KM-23 AI00643 | KM-26 AI00644 | KM-30 AI00645 |

Car Park Ring

Car Park Ring are commonly used in multistorey car park ramp. The circular feature provide a sound friction aesthetic, appearance and consistent finishes for specific project requirement. We can custom design and manufacture special features.



Arrangement of Circular Indentation at RC. Ramp



AI00646

Allinton Engineering & Trading Pte Ltd

Head Office: Block 803, King George's Avenue #01-234 Singapore 200803. Tel: 6296 0679 (10 lines) 6292 7728 Fax: 6297 0024

Branch Office: 21 Tuas Basin Link Singapore 638782 Tel: 6265 1888 (10 lines) Fax: 6265 5623

Web-site: <http://www.allinton.com.sg> E-mail: allinton@singnet.com.sg

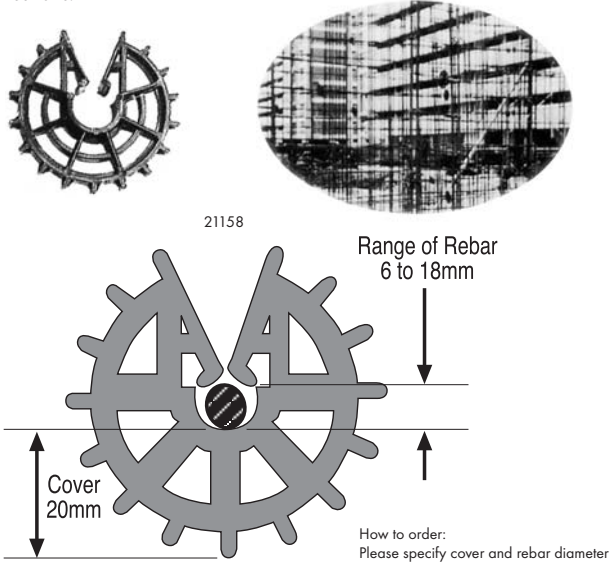
Spacers

Plaswheels (PW)

Plaswheels is easily positioned on the reinforcing bar and has a special locking arrangement to minimise the risk of the spacer becoming dislodged when in position. It is rigid enough to withstand the normal pressure exerted on it whilst the form work is being placed, but is sufficiently flexible to be readily fixed on reinforcing steel of different bar sizes.

Applications

Plaswheels are suitable for spacing horizontal and vertical reinforcement in precast, small bore piling systems and most in-situ concrete construction applications.

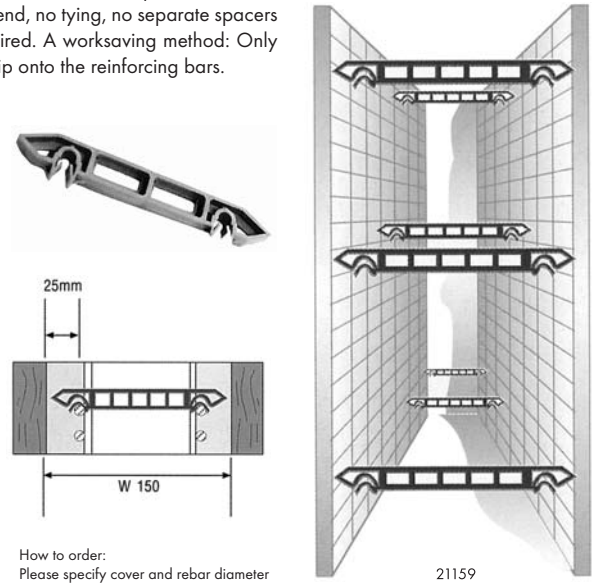


Wall Spacers (WS)

Wall spacers are made of durable plastic with specially designed clips for a firm grip at bar size from 6-10mm, with integrally fixed plastic clamping spacers which give concrete cover of 25mm or 30mm.

Applications

Wall spacers functions as reinforcing mat connector and distance spacer for the vertical formwork. No previous u-hooks to bend, no tying, no separate spacers required. A worksaving method: Only to clip onto the reinforcing bars.

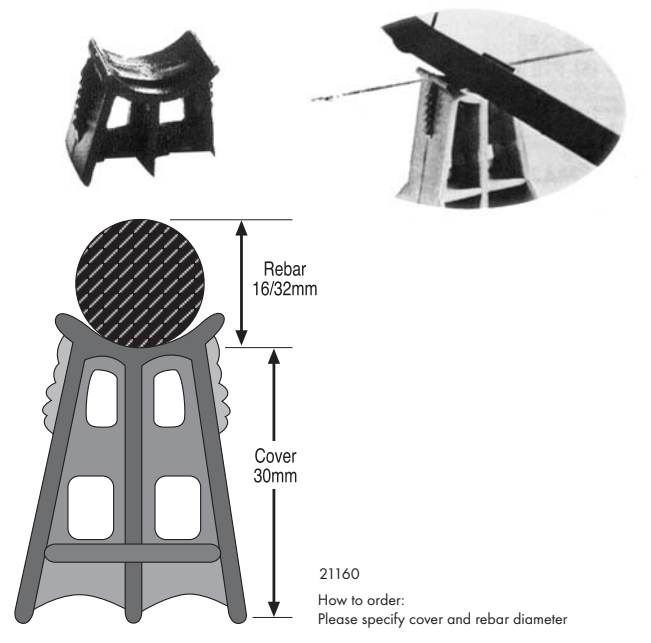


Plaschairs (CH)

Plaschairs are of robust construction to provide firm support for bottom reinforcement in standard slabs, large area steel support with large load-bearing (Heavy-duty).

Applications

Plaschairs are suitable for supporting reinforcement for slabs, floors and beams.

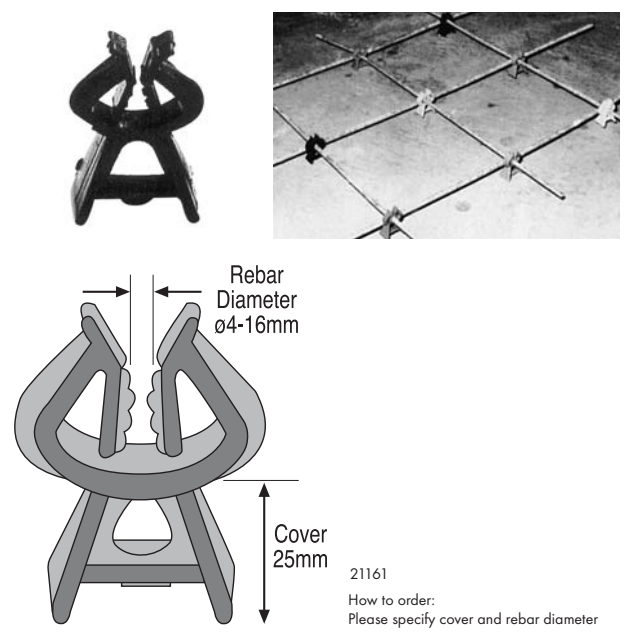


New Plasclips (NC)

New plasclips have a wide base to provide stability. It has a specially designed head to accommodate a wider range of bar size from $\varnothing 4\text{mm}$ -16mm.

Applications

New Plasclips provides a stable support for horizontal reinforcement in slabs, floors and beams.



Allinton Engineering & Trading Pte Ltd

Head Office: Block 803, King George's Avenue #01-234 Singapore 200803. Tel: 6296 0679 (10 lines) 6292 7728 Fax: 6297 0024

Branch Office: 21 Tuas Basin Link Singapore 638782 Tel: 6265 1888 (10 lines) Fax: 6265 5623

Web-site: <http://www.allinton.com.sg> E-mail: allinton@singnet.com.sg