

HAND TOOLS

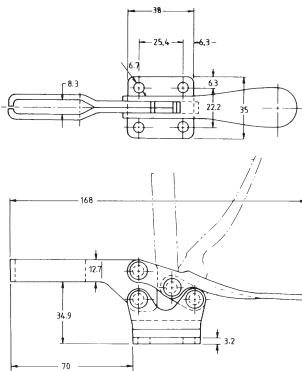
Horizontal Handle Toggle Clamps

- Low Profile
- Compact Size

Code No.	Model No.	Technical Specification			Weight
		Holding Capacity	Handle Moves	Bar Moves	
AH02641	GH225D	227kg	65°	90°	265g

*Supplied with No. GHFC56212, neoprene tipped spindle assembly.

AH02641



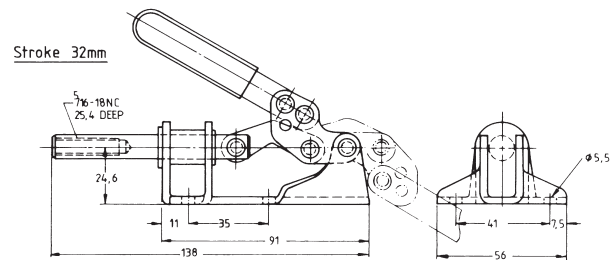
Push/Pull Toggle Clamps

- Low Profile
- Plunger locks in Extended or Retracted position

Code No.	Model No.	Technical Specification			Weight
		Holding Capacity	Handle Moves	Plunger Travel	
AH02675	GH302F	136kg	180°	32mm	300g

*Supplied with No. GHSA56200, spindle assembly.

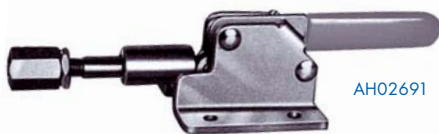
AH02675



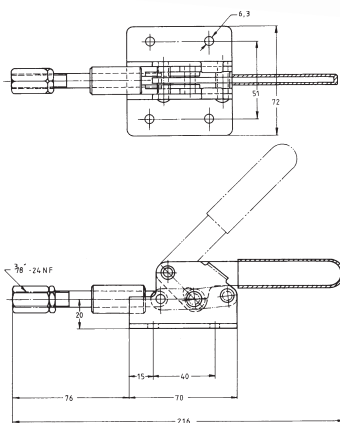
Push/Pull Toggle Clamps

- Reverse Action
- Low Profile
- Plunger locks in Extended position only

Code No.	Model No.	Technical Specification			Weight
		Holding Capacity	Handle Moves	Plunger Travel	
AH02691	GH302D	160kg	45°	12mm	454g



AH02691



Latch Toggle Clamps

Code No.	Model No.	Technical Specification	
		Holding Capacity	Weight
AH02693	GH40324	225kg	133g
AH02694	GH40334	450kg	250g

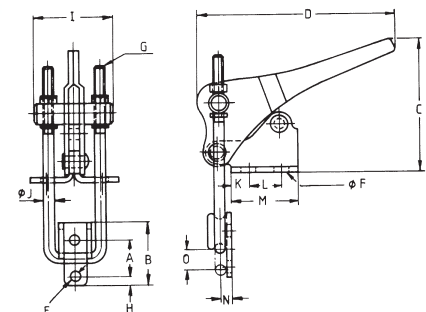
*Supplied with late plate.

Code No.	A	B	C	D	E	F	G	H
GH40324	14.3	25.4	53.5	79	4.4	5.3	M4	4
GH40334	20.6	38.1	61.9	120	5.6	7.1	M6	7.1

I	J	K	L	M	N	O
31	4	6.5	13	26	4.7	11.1
41.3	6.35	7.1	19.1	33.3	8.7	17.5



AH02693



Allinton Engineering & Trading Pte Ltd

Head Office: Block 803, King George's Avenue #01-234 Singapore 200803. Tel: 6296 0679 (10 lines) 6292 7728 Fax: 6297 0024

Branch Office: 21 Tuas Basin Link Singapore 638782 Tel: 6265 1888 (10 lines) Fax: 6265 5623

Web-site: <http://www.allinton.com.sg> E-mail: allinton@singnet.com.sg



HAND TOOLS

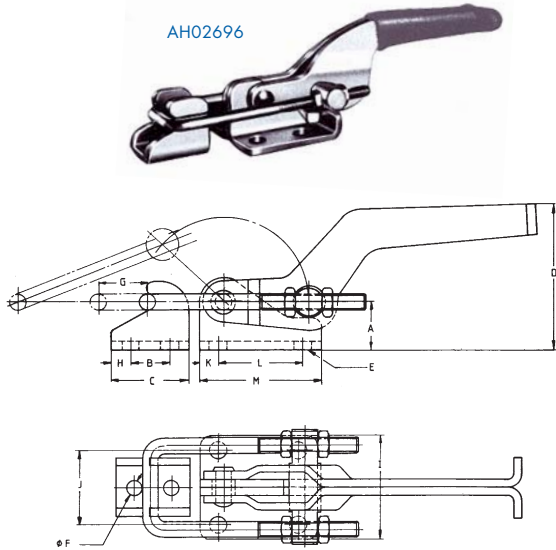
Latch Toggle Clamps

Code No.	Model No.	Technical Specification	
		Holding Capacity	Weight
AH02696	GH40323	163.6kg	70.9g

*Supplied with late plate.

Code No.	A	B	C	D	E	F	G	H	I	J	K	L	M
GH40323	12	9.9	19.8	29.3	4.4	4.4	9.9	6	28.2	19	5.2	15.9	26.2

AH02696



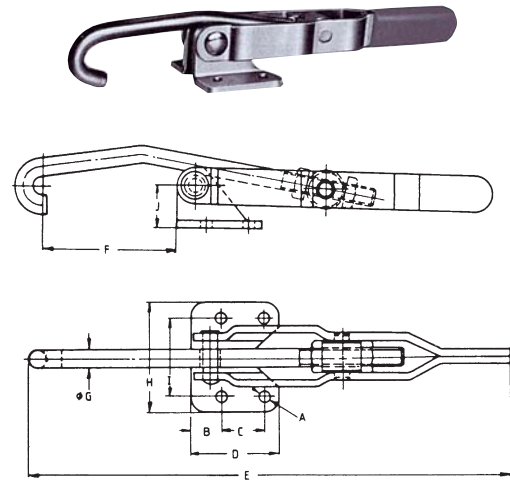
Latch Toggle Clamps

Code No.	Model No.	Technical Specification		
		Holding Capacity	Base Type	Weight
AH02701	GH451	170kg	Flanged	270g

*Latch plate not supplied.

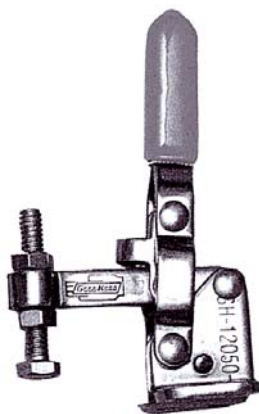
Model No.	A	B	C	D	E	F	G	H	I	J
GH451	5.6	12.7	19	38.1	211.1	58.7	8	49.2	34.9	19
GH452	6.7	N/A	38.1	50.8	211.1	58.7	8	14.1	N/A	19
GH40371	8.7	7.9	31.8	47.6	585.8	79.4	9.5	65.7	49.2	35.32

AH02701



Stainless Steel Toggle Clamps

Code No.	Model No.	Holding Capacity
AH02706	GH12050SS	91kg



AH02706

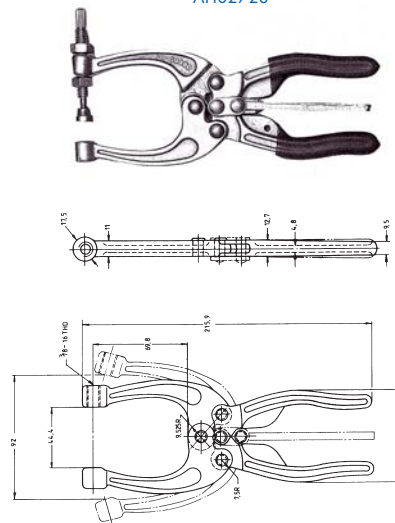
Plier Toggle Clamps

- Improved handle designed for operator comfort.

Code No.	Model No.	Technical Specification	
		Holding Capacity	Weight
AH02723	GH50380	318kg	660g

*Supplied with Copper Plated GHSA38300 swivel foot and GH 38300 hex head spindle assembly.

AH02723



HAND TOOLS

Chrome 6pt Spark Plug (With Rubber)



AH01439

Code No.	Sq. Dr	Size (MM)	L (MM)	T (MM)	D1 (MM)	D2 (MM)	Qty (Per Box) pcs	Weight (Per Pce) g
AH01439	1/2"	21	70	25	27	24	12	130.0

Chrome Universal Joint



AH00031

Code No.	Sq. Dr	L (MM)	Qty (Per Box) pcs	Weight (Per Pce) g
AH00031	1/2"	75	6	140.0
AH01725	3/4"	100	6	460.0

Chrome Extension Bar



AH00035

Code No.	Sq. Dr	L (MM)	Qty (Per Box) pcs	Weight (Per Pce) g
AH00035	1/2"	75	12	125.0
AH00029	1/2"	125	12	190.0
AH00030	1/2"	250	12	325.0
AH00086	3/4"	100	12	350.0
AH00087	3/4"	200	6	650.0
AH01726	3/4"	400	3	1080.0

Chrome Sliding T-Handle



AH00032

Code No.	Sq. Dr	L (MM)	Qty (Per Box) pcs	Weight (Per Pce) g
AH00032	1/2"	300	6	445.0
AH00088	3/4"	450	1	1460.0

Chrome Ratchet Handle



AH00033

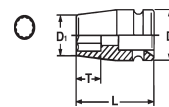


AH00089

Code No.	Sq. Dr	L (MM)	Qty (Per Box) pcs	Weight (Per Pce) g
AH00033	1/2"	250	6	505
AH00089	3/4"	500	1	1908.0

Impact Sockets

3/8" Drive 6 Point Regular



AH00116



Code No.	Size	L (MM)	T (MM)	D1 (MM)	D2 (MM)	Qty (Per Box) pcs	Weight (Per Pce) g
AH01741	6mm	30	4	10.5	19	12	40.0
AH01742	7mm	30	8	11.5	19	12	40.0
AH01743	8mm	30	8	12.5	19	12	40.0
AH01744	9mm	30	8	14	19	12	40.0
AH00116	10mm	30	8	15	19	12	41.0
AH01745	11mm	30	9	17	19	12	41.0
AH00117	12mm	30	9	18	19	12	59.0
AH01746	13mm	30	9	19	19	12	59.0
AH00118	14mm	30	9	20	20	12	59.0
AH01747	15mm	30	11	22	22	12	60.0
AH01748	16mm	30	11	24	22	12	62.0
AH00119	17mm	30	11	25	22	12	66.0
AH00120	19mm	30	11	27.5	22	12	68.0
AH01749	20mm	30	12	28	22	6	70.0
AH01750	21mm	30	13	30	22	6	75.0
AH03000	22mm	30	13	32	23	6	75.0
AH03001	24mm	30	13	34	23	6	80.0
AH03002	1/4"	30	4	11	19	12	40.0
AH03003	5/16"	30	8	12.5	19	12	40.0
AH03004	3/8"	30	8	14.5	19	12	41.0
AH03005	7/16"	30	9	17	19	12	41.0
AH03006	1/2"	30	9	19	19	12	55.0
AH03007	9/16"	30	9	20	20	12	57.0
AH03008	5/8"	30	11	24	24	12	59.0
AH03009	11/16"	30	11	24	24	12	66.0
AH03010	3/4"	30	11	26	26	12	68.0
AH03011	13/16"	30	13	28	28	6	75.0
AH03012	7/8"	30	13	30	30	6	77.0
AH03013	15/16"	30	13	32	32	6	79.0
AH03014	1"	30	13	34	34	6	82.0

Chrome L-Handle



AH00034

Code No.	Sq. Dr	L (MM)	Qty (Per Box) pcs	Weight (Per Pce) g
AH00034	1/2"	250	12	330.0
AH01724	3/4"	330	6	1175.0

Allinton Engineering & Trading Pte Ltd

Head Office: Block 803, King George's Avenue #01-234 Singapore 200803. Tel: 6296 0679 (10 lines) 6292 7728 Fax: 6297 0024

Branch Office: 21 Tuas Basin Link Singapore 638782 Tel: 6265 1888 (10 lines) Fax: 6265 5623

Web-site: <http://www.allinton.com.sg> E-mail: allinton@singnet.com.sg

